

* سایز های ۱۵ ، ۳۰ ، ۶۰ ، ۸۰ ، ۱۵۰ موجود در انبار

BKL

WITH CLAMPING HUB

2 - 500 Nm

ABOUT

FEATURES

- ▶ easy to mount
- ▶ light weight and low moment of inertia
- ▶ economical design

MATERIAL

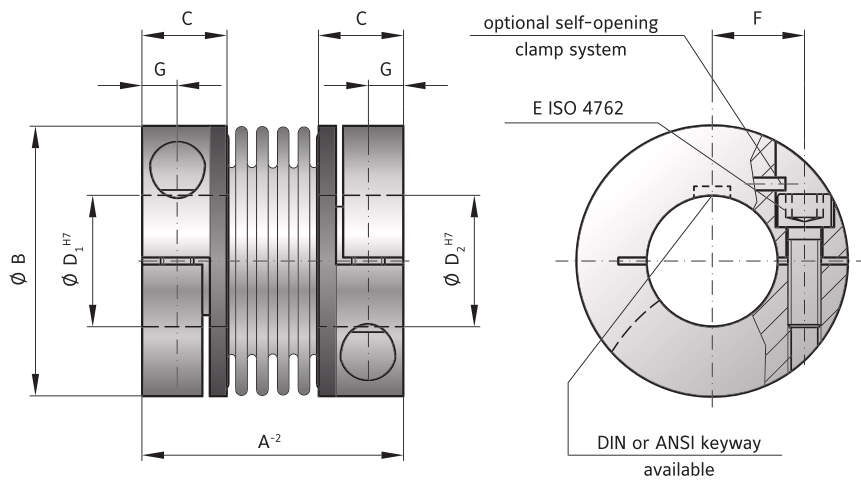
- ▶ **Bellows:** high grade stainless steel
- ▶ **Hubs:** see table

DESIGN

Two clamping hubs concentrically mounted to flexible bellows. Brief overloads of up to 1.5x the rated torque are acceptable.



Optional: self-opening clamp system to open the bore during installation and removal by backing out the clamping screw.



MODEL BKL

SIZE		2	4.5	10	15	30	60	80	150	300	500
Rated torque (Nm)	T_{KN}	2	4.5	10	15	30	60	80	150	300	500
Overall length (mm)	A^{-2}	30	40	44	58	68	79	92	92	109	114
Outside diameter (mm)	B	25	32	40	49	56	66	82	82	110	123
Fit length (mm)	C	10.5	13	13	21.5	26	28	32.5	32.5	41	42.5
Inside diameter possible from \varnothing to \varnothing H7 (mm)	$D_{1/2}$	4-12.7	6-16	6-24	8-28	10-32	14-35	16-42	19-42	24-60	35-62
Fastening screw ISO 4762		M3	M4	M4	M5	M6	M8	M10	M10	M12	M16
Tightening torque of the fastening screw (Nm)	E	2.3	4	4.5	8	15	40	70	85	120	200
Distance between centerlines (mm)	F	8	11	14	17	20	23	27	27	39	41
Distance (mm)	G	4	5	5	6.5	7.5	9.5	11	11	13	17
Moment of inertia (10^{-3} kgm ²)	J_{ges}	0.002	0.007	0.016	0.065	0.12	0.3	0.75	1.8 0.8	7.5 3.1	11.7 4.9
Hub material		AL optional steel	AL optional steel	AL optional steel	AL optional steel	AL optional steel	AL optional steel	AL optional steel	steel optional AL	steel optional AL	steel optional AL
Approximate weight (kg)		0.02	0.05	0.06	0.16	0.25	0.4	0.7	1.7 0.75	3.8 1.6	4.9 2.1
Torsional stiffness (10^3 Nm/rad)	C_T	1.5	7	9	23	31	72	80	141	157	290
Axial \pm (mm)	Max. values	0.5	1	1	1	1	1.5	2	2	2	2.5
Lateral \pm (mm)		0.2	0.2	0.2	0.2	0.2	0.2	0.2	0.2	0.2	0.2
Angular \pm (degree)		1	1	1	1	1	1	1	1	1	1
Axial spring stiffness (N/mm)	C_s	8	35	30	30	50	67	44	77	112	72
Lateral spring stiffness (N/mm)	C_r	50	350	320	315	366	679	590	960	2940	1450

ORDERING EXAMPLE	BKL	80	26	22.23	XX
Model	●				
Size		●			
Bore D1 H7			●		
Bore D2 H7				●	

Special designation only (e.g. anodized hubs).

For custom features place an XX at the end of the part number and describe the special requirements (e.g. BKL/80/26/22.23/XX; XX=finely balanced for 25,000 rpm)



تلفن : (021) 33913364 - 33951660

فکس : (021) 33985603